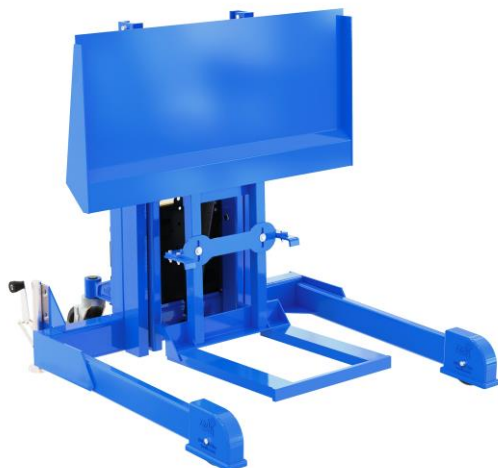




Vestil Manufacturing Co.

2999 North Wayne Street, P.O. Box 507, Angola, IN 46703
 Telephone: (260) 665-7586 -or- Toll Free (800) 348-0868
 Fax: (260) 665-1339
 Web: www.vestil.com e-mail: info@vestil.com

JMD-1000 Multi-Purpose Tote Dumpers



NOTE: A manual for the battery powered (DC) modular power unit should also be included with your order. A copy of the [MPU-DC Gen2 manual](#) can be acquired at this address: <https://www.vestildocs.com/manuals/MPU-DC,%20MANUAL.PDF>

Receiving Instructions

After delivery, remove the packaging from the product. Inspect the product closely to determine whether it sustained damage during transport. If damage is discovered, record a complete description of it on the bill of lading. If the product is undamaged, discard the packaging.

NOTE: The end-user is solely responsible for confirming that product design, use, and maintenance comply with laws, regulations, codes, and mandatory standards applied where the product is used.

Technical Service & Replacement Parts

For answers to questions not addressed in these instructions and to order replacement parts, labels, and accessories, call our Technical Service and Parts Department at (260) 665-7586. The department can also be contacted online at <https://www.vestil.com/page-parts-request.php>.

Electronic copies of Instruction Manuals

Additional copies of this instruction manual may be downloaded from <https://www.vestil.com/page-manuals.php>.

Table of Contents	Page
Specifications	2
Signal Words	3
Safety Instructions	3
JMD-1000-48 Exploded View and Bill of Materials	4
JMD-1000-60 Exploded View and Bill of Materials	5
JMD-1000-72 Exploded View and Bill of Materials	6
Using the Trach Tote Dumper	7
Hydraulic Circuit Diagram	8
Record of Satisfactory Condition	8
Inspections & Maintenance	8 - 9
Troubleshooting	10
Labeling Diagram	11
Limited Warranty	12

SPECIFICATIONS

Documents that provide specifications for self-propelled JMD-1000 series tote filters are available online to anyone who visits Vestil's website. Specifications include dimensions, net weight, and capacity information. To access the appropriate specifications document, navigate to this webpage: <https://www.vestil.com/product.php?FID=220>. Scroll the page to the "Product Specifications Table" and find the entry for the model you purchased. Click the button in the "PDF" column that looks like a pencil inside a blue-bordered box. A PDF file will open. This file is the specifications document for the model you selected. Print a copy of the document and keep it with your copy of this manual.

The following is an exemplar specifications document for model JMD-1000-48.

MULTI-PURPOSE TOTE DUMPER-JMD-1000-48 APPROX WEIGHT: 850.62 lbs. DOES NOT INCLUDE WEIGHT OF POWER OR PACKAGING!!!
 ANY ADDITIONS, DELETIONS, OR OMISSIONS MUST BE CORRECTED ON THIS DRAWING AS THIS DRAWING WILL BE CONSIDERED ALL INCLUSIVE

PLEASE CIRCLE SPECIFICATIONS:

POWER	<input type="checkbox"/> AC	<input type="checkbox"/> DC (12V)	<input checked="" type="checkbox"/> AIR/OIL	
MOTOR VOLTAGE	<input checked="" type="checkbox"/> 115	<input type="checkbox"/> 208	<input type="checkbox"/> 230	<input type="checkbox"/> 460
DEDICATED CIRCUIT REQUIRED				
MOTOR PHASE	<input type="checkbox"/> SINGLE	<input type="checkbox"/> THREE		
CONTROL	<input type="checkbox"/> HAND	<input checked="" type="checkbox"/> FOOT		
~ ALL BATTERY CHARGERS ARE 115V AC ~				
BATTERY CHR.G.	<input checked="" type="checkbox"/> REMOTE	<input type="checkbox"/> ON-BOARD		
* CHR.G. INDICATOR	<input type="checkbox"/> YES	<input type="checkbox"/> NO		

* AVAILABLE AT ADDITIONAL COST

ALL GRAPHICS PROVIDED ARE FOR REFERENCE ONLY. IF CERTAIN DIMENSIONS ARE CRITICAL PLEASE VERIFY THOSE DIMENSIONS WITH YOUR SALESPERSON

STANDARD FEATURES
 MODEL NUMBER IS JMD-1000-48
 MAXIMUM CAPACITY IS 600 LBS
 *CAPACITY MAY BE DOWN RATED TO CAPACITY OF TOTE BEING USED
 OVERALL WIDTH IS 57 1/4"
 USABLE CHUTE WIDTH IS 55"
 STRADDLE WIDTH(I.D.) IS 49 3/4"
 OVERALL LENGTH IS 65 1/8"
 DUMP HEIGHT IS 48"
 OVERALL LOWERED HEIGHT IS 59 1/8"
 OVERALL ROTATED HEIGHT IS 106 3/8"
 MAXIMUM ROTATION ANGLE IS 135°
 FLOOR LOCK
 INCLUDES ONE MPT-2 POLYETHYLENE TOTE (600 LBS CAP)
 DURABLE LIQUID PAINT BLUE FINISH

***ADDITIONAL TOTES**
 ___ MPT-1 TOTE HAS A 200 LBS CAP.
 ___ MPT-2 TOTE HAS A 600 LBS CAP.

SPECIAL FEATURES
 NONE

APPROVAL

I, THE UNDERSIGNED, AGREE THAT THE PRODUCT AS REPRESENTED SATISFIES DESIGN AND DIMENSION REQUIREMENTS. I ALSO ACKNOWLEDGE MY DUTY TO CONFIRM PRODUCT AND INSTALLATION COMPLIANCE WITH ALL APPLICABLE FEDERAL, STATE AND LOCAL REGULATIONS AND STANDARDS.

UNITS REQUIRING APPROVAL DRAWINGS OR MODIFIED ARE NON-RETURNABLE
 As drawn As marked

Signed: _____ Date: _____
 Printed Name: _____

LEAD TIME WILL START UPON RECEIPT OF SIGNED APPROVAL DRAWING

DISTRIBUTOR'S NAME:	VESTIL MANUFACTURING		P.O.#	X	
DRAWN BY:	WHR	DATE:	12/21/2011	W.O.#	X
REFERENCE:	X	SCALE:	1:32	SALES:	X
QUOTED LEAD TIME:	X	QUOTE #	X	FILE NAME:	34-007-016

DIMENSION TOLERANCE ± 1/4"

NOTE: If your model is not included on the webpage, or if you cannot access and/or print the document, contact the [Technical Service Dept.](#) Contact information is provided on the front page of this manual.

SIGNAL WORDS

SIGNAL WORDS appear in this manual to draw the reader's attention to important safety-related messages. The following are signal words used in this manual and their definitions.

⚠ DANGER

Identifies a hazardous situation which, if not avoided, **WILL** result in **DEATH** or **SERIOUS INJURY**. Use of this signal word is limited to the most extreme situations.

⚠ WARNING

Identifies a hazardous situation which, if not avoided, **COULD** result in **DEATH** or **SERIOUS INJURY**.

⚠ CAUTION

Indicates a hazardous situation which, if not avoided, **COULD** result in **MINOR** or **MODERATE** injury.

NOTICE

Identifies practices likely to result in product/property damage, such as operation that might damage the product.

SAFETY INSTRUCTIONS

Vestil strives to identify foreseeable hazards associated with the use of its products, but no manual can address every conceivable risk. Reduce the likelihood of injury by being mindful of the hazards identified below and by inspecting & maintaining the product as instructed in [INSPECTIONS & MAINTENANCE](#) on [p. 8-9](#).

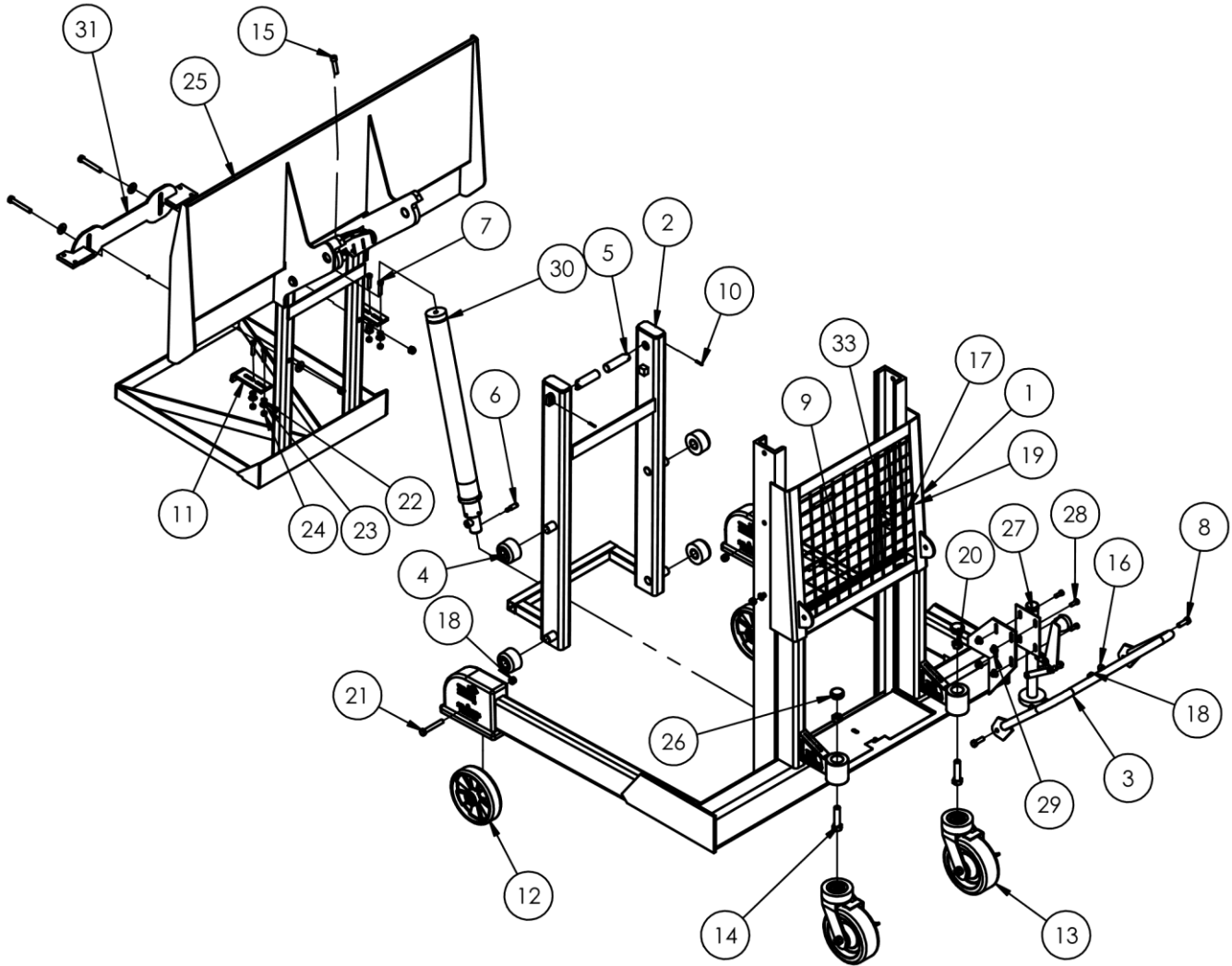
⚠ WARNING

Risks of serious personal injuries or death.

- **Read and understand the entire manual before assembling, using or servicing the device.**
- ONLY use the dumper to empty Vestil's MPT-series trash totes. Only load the dumper with one MPT tote at a time.
- Load the dumper as instructed in [USING THE TRASH TOTE DUMPER](#) on p. 7. JMD-1000 series tote dumpers must ONLY be used with Vestil Manufacturing Company's MPT series trash totes.
- Inspect the dumper before each use according to the inspection instructions on [p. 8](#) & [p. 9](#). DO NOT use the machine unless it is in *satisfactory condition*. See [RECORD OF SATISFACTORY CONDITION](#) on p. 8.
- Apply the floor lock BEFORE dumping a tote (operating the chute). The floor lock should also be applied whenever the dumper is not in use.
- DO NOT move the dumper up or down slopes unless you can easily control the unit. If you must cross sloped ground, always position yourself uphill to the dumper.
- DO NOT stand beneath or travel under the dumper chute while it is elevated. ALWAYS stand to the side of the dumper before operating the chute. Watch the chute and tote closely while the chute cycles.
- DO NOT use this dumper UNLESS every label shown in the [LABELING DIAGRAM](#) on p. 11 is in place, undamaged, and easily readable. Contact the [TECHNICAL SERVICE](#) department to order replacement labels. DO NOT use the dumper until all replacement labels are applied.
- Do not remove, alter, or obscure any label.
- DO NOT exceed the capacity of the dumper. Capacity information appears in the applicable [SPECIFICATIONS](#) document on [page 2](#) as well as on label 1153. See [LABELING DIAGRAM](#) on p. 11. The weight of the trash tote plus the weight of its contents must not exceed the capacity of the dumper.
- DO NOT modify the dumper without first obtaining written approval from Vestil. Unapproved modifications automatically void the [LIMITED WARRANTY](#) and could make the dumper unsafe to use.
- DO NOT use the dumper on sloped surfaces. ONLY use it on level, even surfaces.
- Before operating the dumper, make sure that there is sufficient overhead clearance for the chute and trash tote to rotate through a complete cycle.

JMD-1000-48 EXPLODED VIEW AND BILL OF MATERIALS

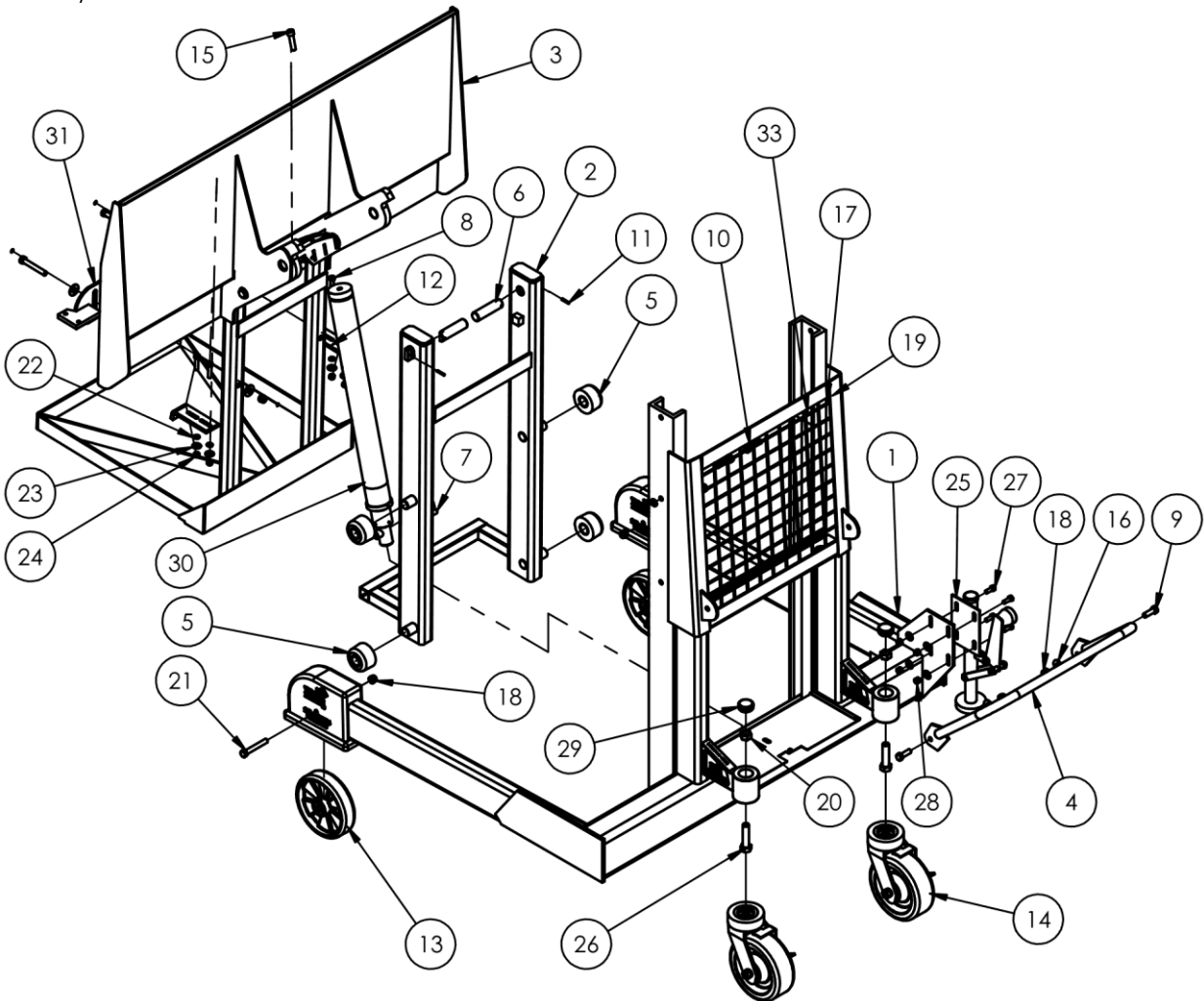
(34-006-016)



ITEM	PART NO.	DESCRIPTION	QTY.	ITEM	PART NO.	DESCRIPTION	QTY.
1	34-514-020	WELDMENT, FRAME	1	18	34-514-020	WELDMENT, FRAME	1
2	34-538-004	WELDMENT, ROLLER CARRIAGE	1	19	34-538-004	WELDMENT, ROLLER CARRIAGE	1
3	15-525-007	HANDLE, WELDMENT	1	20	15-525-007	HANDLE, WELDMENT	1
4	15-527-004	SUB-ASSEMBLY, ROLLER	4	21	15-527-004	SUB-ASSEMBLY, ROLLER	4
5	34-112-008	PIN, HINGE	2	22	34-112-008	PIN, HINGE	2
6	01-118-001	BOLT, CYLINDER RETAINING	1	23	01-118-001	BOLT, CYLINDER RETAINING	1
7	11110	HEX BOLT, GRADE A, ZINC FINISH, 3/8"-16 X 1 3/4"	4	24	11110	HEX BOLT, GRADE A, ZINC FINISH, 3/8"-16 X 1 3/4"	4
8	11209	1/2-13 X 1 1/2" LG HHCS - ASTM A307 GRADE A, ZINC PLATED	2	25	11209	1/2-13 X 1 1/2" LG HHCS - ASTM A307 GRADE A, ZINC PLATED	2
9	11211	HEX BOLT, GRADE A, ZINC FINISH, 1/2"-13 X 2"	2	26	11211	HEX BOLT, GRADE A, ZINC FINISH, 1/2"-13 X 2"	2
10	64134	SPRING PIN	2	27	64134	SPRING PIN	2
11	34-016-058	BRACKET, TOTE RECEIVER	2	28	34-016-058	BRACKET, TOTE RECEIVER	2
12	16-132-216	CASTER, WHEEL, GFN-8/2-W	2	29	16-132-216	CASTER, WHEEL, GFN-8/2-W	2
13	16-132-227	CASTER, 8/3-SWB-NTP	2	30	16-132-227	CASTER, 8/3-SWB-NTP	2
14	11365	HHCS #2 Z-PLATED, 3/4 -10 x 3	2	31	11365	HHCS #2 Z-PLATED, 3/4 -10 x 3	2
15	23879	1/2"-20 x 2" SOCKET CAP SCREW	1	32	23879	1/2"-20 x 2" SOCKET CAP SCREW	1
16	33012	FLAT WASHER, LOW CARBON, ZINC FINISH, 1/2"	6	33	33012	FLAT WASHER, LOW CARBON, ZINC FINISH, 1/2"	6
17	33626	LOCK WASHER Z PLATED, Ø 1/2	2				

JMD-1000-60 EXPLODED VIEW AND BILL OF MATERIALS

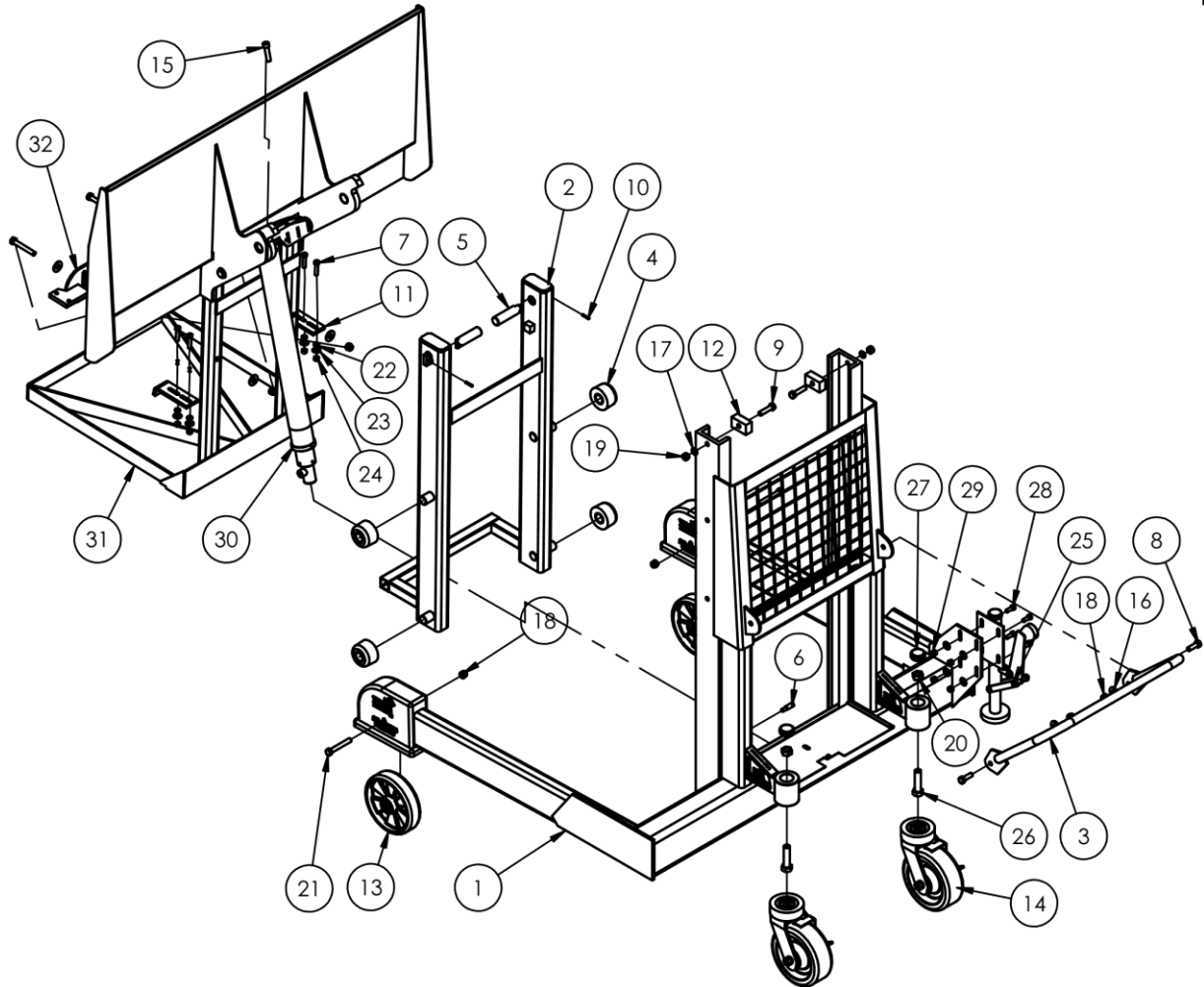
(34-006-017)



ITEM	PART NO.	DESCRIPTION	QTY.	ITEM	PART NO.	DESCRIPTION	QTY.
1	34-514-020	WELDMENT, FRAME	1	18	37030	1/2"-13 NYLON INSERT LOCK NUT, GRADE 2	6
2	34-538-004	WELDMENT, ROLLER CARRIAGE	1	19	36109	HEX NUT, GRADE A, PLAIN FINISH, 1/2"-13	2
3	34-538-005	WELDMENT, CARRIAGE & CHUTE	1	20	37274	3/4"-10 LOCK NUT	2
4	15-525-007	HANDLE, WELDMENT	1	21	11217	HEX BOLT, GRADE A, ZINC PLATED, 1/2-13 X 3 1/2"	4
5	15-527-004	SUB-ASSEMBLY, ROLLER	4	22	33622	SPLIT LOCK WASHER, CARBON STEEL, MEDIUM ZINC FINISH, 3/8"	4
6	34-112-008	PIN, HINGE	2	23	33008	FLAT WASHER, LOW CARBON, USS, ZINC PLATED, 3/8"	8
7	01-118-001	BOLT, CYLINDER RETAINING	1	24	36106	HEX NUT, GRADE A, ZINC PLATED, 3/8-16	4
8	11110	HEX BOLT, GRADE A, ZINC FINISH, 3/8"-16 X 1 3/4"	4	25	16-132-081-001	FLOOR LOCK ASSEMBLY, RIGHT MOUNT	1
9	11209	1/2-13 X 1 1/2" LG HHCS - ASTM A307 GRADE A, ZINC PLATED	2	26	11365	HHCS #2 Z-PLATED, 3/4 -10 x 3	2
10	11211	HEX BOLT, GRADE A, ZINC FINISH, 1/2"-13 x 2"	2	27	11105	HEX BOLT, GRADE A, ZINC PLATED, 3/8"-16 X 1"	4
11	64134	SPRING PIN	2	28	37024	NYLON INSERT LOCK NUT, GRADE 2, ZINC FINISH, 3/8"-16	4
12	34-016-058	BRACKET, TOTE RECEIVER	2	29	99-024-003	GUARD/COVER/ENDCAP/PLUG	2
13	16-132-216	CASTER, WHEEL, GFN-8/2-W	2	30	99-021-912-001	CYLINDER, HYDRAULIC, Ø1 1/2" x 48", TELESCOPIC STYLE	1
14	16-132-227	CASTER, 8/3-SWB-NTP	2	31	34-516-018	WELDMENT, BRACKET, TOTE RECEIVER	1
15	23879	1/2"-20 x 2" SOCKET CAP SCREW	1	32	34-001-039	FINAL ASSEMBLY W/O SHIPPING	1
16	33012	FLAT WASHER, LOW CARBON, ZINC FINISH, 1/2"	6	33	34-037-010	STOP BLOCK	2
17	33626	LOCK WASHER Z PLATED, Ø 1/2	2				

JMD-1000-72 EXPLODED VIEW AND BILL OF MATERIALS

(34-006-018)

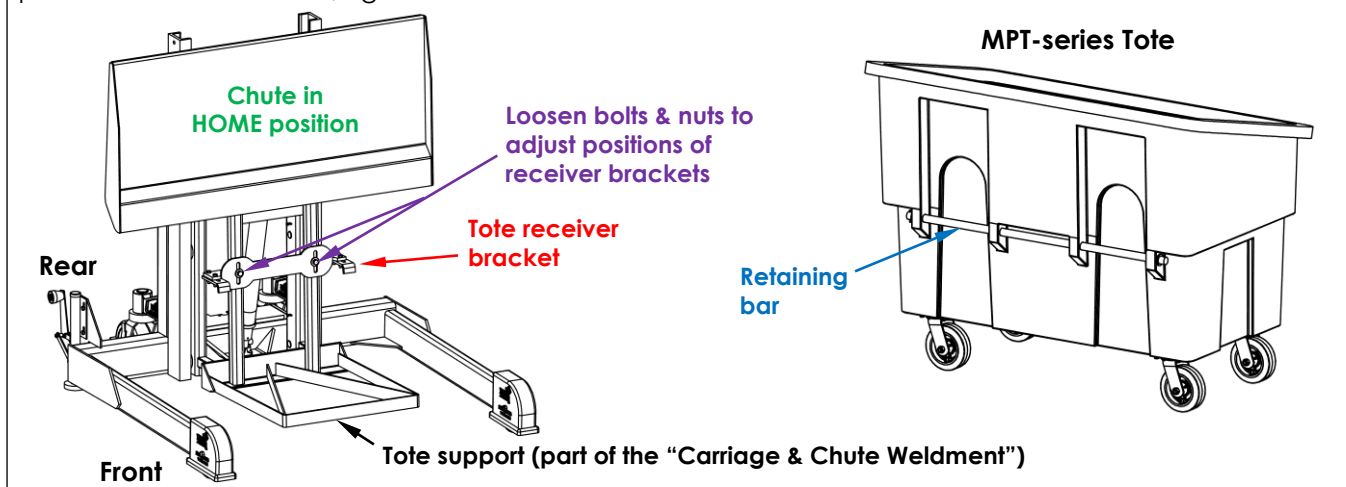


ITEM	PART NO.	DESCRIPTION	QTY.	ITEM	PART NO.	DESCRIPTION	QTY.
1	34-514-020	WELDMENT, FRAME	1	18	37030	1/2"-13 NYLON INSERT LOCK NUT, GRADE 2	6
2	34-538-004	WELDMENT, ROLLER CARRIAGE	1	19	36109	HEX NUT, GRADE A, PLAIN FINISH, 1/2"-13	2
3	15-525-007	HANDLE, WELDMENT	1	20	37274	3/4"-10 LOCK NUT	2
4	15-527-004	SUB-ASSEMBLY, ROLLER	4	21	11217	HEX BOLT, GRADE A, ZINC PLATED, 1/2-13 X 3 1/2"	4
5	34-112-008	PIN, HINGE	2	22	33622	SPLIT LOCK WASHER, CARBON STEEL, MEDIUM ZINC FINISH, 3/8"	4
6	01-118-001	BOLT, CYLINDER RETAINING	1	23	33008	FLAT WASHER, LOW CARBON, USS, ZINC PLATED, 3/8"	8
7	11110	HEX BOLT, GRADE A, ZINC FINISH, 3/8"-16 X 1 3/4"	4	24	36106	HEX NUT, GRADE A, ZINC PLATED, 3/8-16	4
8	11209	1/2-13 X 1 1/2" LG HHCS - ASTM A307 GRADE A, ZINC PLATED	2	25	16-132-081-001	FLOOR LOCK ASSEMBLY, RIGHT MOUNT	1
9	11211	HEX BOLT, GRADE A, ZINC FINISH, 1/2"-13 X 2"	2	26	11365	HHCS #2 Z-PLATED, 3/4 -10 x 3	2
10	64134	SPRING PIN	2	27	99-024-003	GUARD/COVER/ENDCAP/PLUG	2
11	34-016-058	BRACKET, TOTE RECEIVER	2	28	11105	HEX BOLT, GRADE A, ZINC PLATED, 3/8"-16 X 1"	4
12	34-037-010	STOP BLOCK	2	29	37024	NYLON INSERT LOCK NUT, GRADE 2, ZINC FINISH, 3/8"-16	4
13	16-132-216	CASTER, WHEEL, GFN-8/2-W	2	30	99-021-912-001	CYLINDER, HYDRAULIC, Ø1 1/2" x 48", TELESCOPIC STYLE	1
14	16-132-227	CASTER, 8/3-SWB-NTP	2	31	34-538-005	WELDMENT, CARRIAGE & CHUTE	1
15	23879	1/2"-20 x 2" SOCKET CAP SCREW	1	32	34-516-018	WELDMENT, BRACKET, TOTE RECEIVER	1
16	33012	FLAT WASHER, LOW CARBON, ZINC FINISH, 1/2"	6	33	34-001-039	FINAL ASSEMBLY W/O SHIPPING	1
17	33626	LOCK WASHER Z PLATED, Ø 1/2	2				

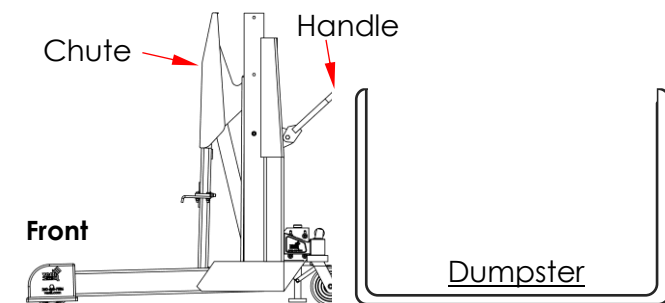
USING THE TRASH TOTE DUMPER

NOTE: Only use TCD-M dumpers with Vestil model MPT-1 or MPT-2 polyethylene trash totes.

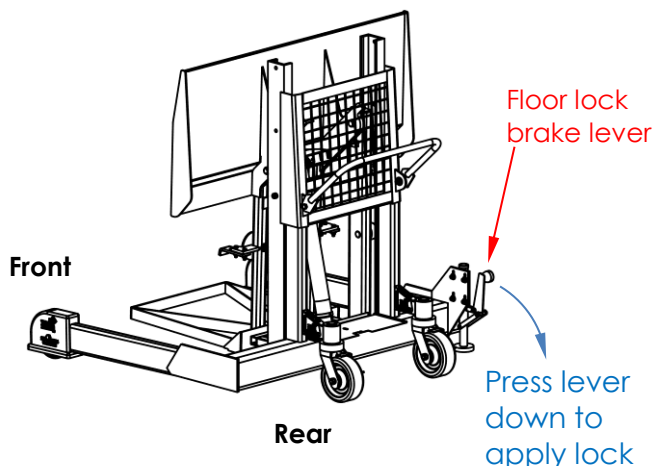
Step 1: Mount an MPT-series trash tote on the tote support (the bottom part of what is referred to as the "Carriage and Chute weldment" in the bill of materials for the applicable [EXPLODED VIEW](#) on [p. 4](#), [p. 5](#), or [p. 6](#)). The chute must be in the home position (fully lowered) as shown in the following diagrams. Each MPT-series tote includes a **retaining bar**. Adjust the height of the **tote receiving brackets** to fit over the top of the **retaining bar** (of the tote) by **loosening the bolts (11217) and nuts (37030)** as shown in the diagram. The **brackets** should be as low as possible but still allow the trash tote to be freely moved on and off of the tote support without having to adjust the brackets. When you are satisfied with the positions of the brackets, tighten the bolts and nuts.



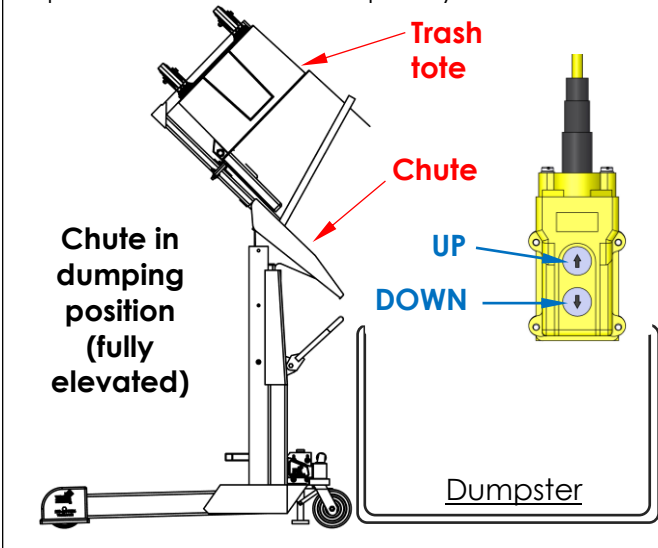
Step 2: Move the tote dumper (JMD) next to the dumpster, or other large trash receptacle, that will receive the contents of the trash tote. Move the JMD by grasping the handle and pushing it to the dumping site. Position the JMD as shown in the following diagram: Rear casters in contact with the side of the dumpster. Press the brake lever down to apply the floor lock.

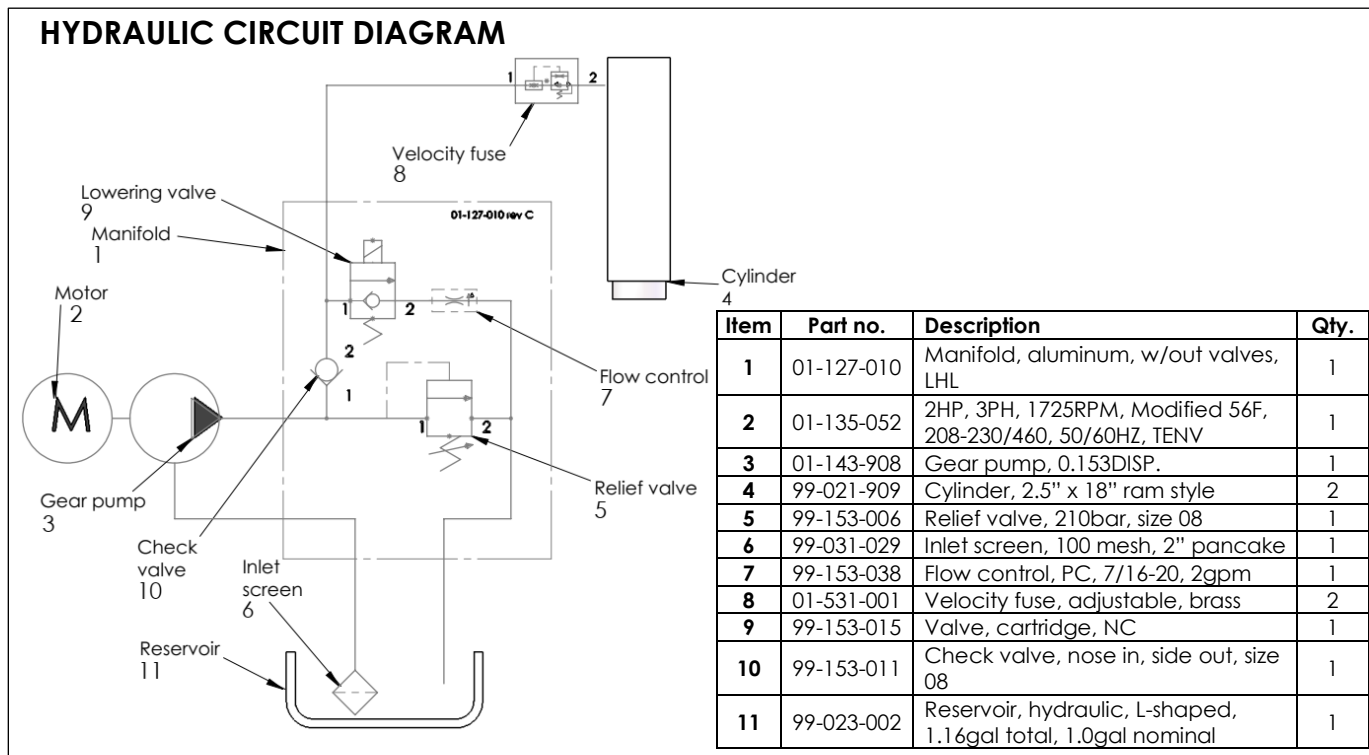


Chute in HOME position



Step 3: Stand to the side of the dumper. Raise/tilt the chute by pressing the **↑ (UP)** button on the hand control. Press the **↑** button until the power unit stops. The power unit stops when the chute is fully tilted. When the trash tote is empty, lower the chute by pressing the **↓ (DOWN)** button on the hand control. The power unit will automatically stop when the chute is completely lowered.





RECORD OF SATISFACTORY CONDITION

Refer to applicable [EXPLODED VIEW](#) on [p. 4](#), [p. 5](#), or [p. 6](#). Also read the [RECORD OF SATISFACTORY CONDITION](#) section of your MPU-DC-GEN2 owner's manual.

After receiving the product and before putting it into service, make a record that describes its appearance and operation. Photograph the modular power unit, frame, chute, tote retaining brackets, tote support, handle, casters, and fasteners (bolts, nuts, etc.). Take close range photographs of all labels. Cycle the chute all the way up and back down. Record observations about how the cylinder extends and retracts, how the chute rotates, and all sounds heard as the chute moves. Collect the photographs and writings in a single file. Mark the file appropriately to identify it. This file is a record of the machine in satisfactory condition. During future inspections, compare your observations to this *RECORD* to determine whether the machine is in satisfactory condition.

INSPECTIONS & MAINTENANCE

Also apply all *INSPECTIONS AND MAINTENANCE* instructions from the [MPU-DC-GEN2](#) manual.

Do not use this machine unless it is in satisfactory condition. Restore all parts to satisfactory condition or replace them with new, approved parts if restoration is not possible. **DON'T GUESS!** Do not continue to use your tote dumper if you have any questions about its condition. Contact [TECHNICAL SERVICE](#) for assistance.

All areas where rust and/or corrosion is present, or where the paint/powdercoat is damaged, should be cleaned with a mild soap and water solution. Once dry, apply enough touchup paint to completely cover the areas, if those areas were originally painted/powdercoated.

Before each use, inspect:

- Battery charge status: Recharge the battery, if necessary.
- Hydraulic system: Check hoses for pinches, kinks, punctures, leaks, etc. Check connections with the cylinder for leaks, etc.
- Electrical wiring: Check wiring for damage, such as exposed conductors, frays, kinks, and loose connections.
- Carriage & Chute weldment: Examine the tote receiver brackets, tote support, chute, and other parts of the weldment for damage like bends, cracks, rust or corrosion. Each bracket should be solidly fastened to the frame. Tighten loose bolts and nuts.

- **Frame:** Check the welds and overall condition of pivot points, cylinder brackets (the attachment points where the top and bottom of the cylinder are pinned to the frame and to the chute), handles, and chute. Look for cracks, damaged welds, severe wear, rust and corrosion.
- **Cylinder and limit switches:** Cycle the chute through a complete dumping sequence (fully elevated/rotated and then back to the home position). When the chute reaches maximum dumping height, the power unit should automatically stop running. Now press the DOWN button on the hand control to lower the chute and confirm that. The piston should extend and retract smoothly without binding or jerking. Listen for unusual sounds that might indicate binding during operation. Watch for unusual movement. If you observe any unusual sound or movement, do not use the dumper until it has been restored to normal operating condition.
- **Casters and wheels:** confirm that all 4 casters roll smoothly and do not wobble. The rear casters should swivel freely through 360°. The front wheels are rigid, i.e. do not swivel. Confirm that all casters and wheels are securely attached to the frame. Look for damaged tread, significant wear, and other forms of damage.
- **Floor locks:** Apply floor lock. The floor lock will not prevent the machine from moving but *resists movement*. Confirm that the floor pad of the floor lock solidly contacts the floor when the brake lever is pressed down.
- **Labels:** Labels should be easily readable, undamaged, and located approximately as shown in the [LABELING DIAGRAM](#) on p. 11.

At least once per month, inspect the dumper as follows:

- **Modular power unit, pendant controller, wiring:** Remove the cover. Examine wires for frays, cuts, tears, etc. Inspect the oil reservoir, hoses, and fittings for leaks, kinks, punctures, etc.
- **Oil level:** Remove the cover from the modular power unit. Then, fully raise the chute to the maximum dumping position and observe the level of oil in the reservoir. The surface of the oil should be 1 inch to 1½ inches below the top of the tank. If oil is needed, add oil identified below in *Oil specifications*.
- **Fasteners:** Check each fastener connection (nuts, bolts, pins, etc.). Tighten loose connections. Replace all damaged fasteners.
- **Hydraulic hoses and electrical wires:** Check each wire and hose for damage (frays, kinks etc.).

Oil specifications: *At least once per year* change the hydraulic oil. Change the oil if you notice cylinder operation becoming spongy. Change oil immediately if it becomes gritty or looks milky (indicating that water is present). To change the oil, put the chute in the fully lowered position. Drain the oil and replace it with either Dexron transmission fluid or anti-wear hydraulic oil having viscosity grade of 150 SUS at 100°F (ISO 32 cSt at 40°C).

TROUBLESHOOTING

⚠ WARNING

Risk of serious personal injury or death.
DO NOT attempt to resolve any issue discussed below UNTIL the chute is fully lowered and the power supply is disconnected.

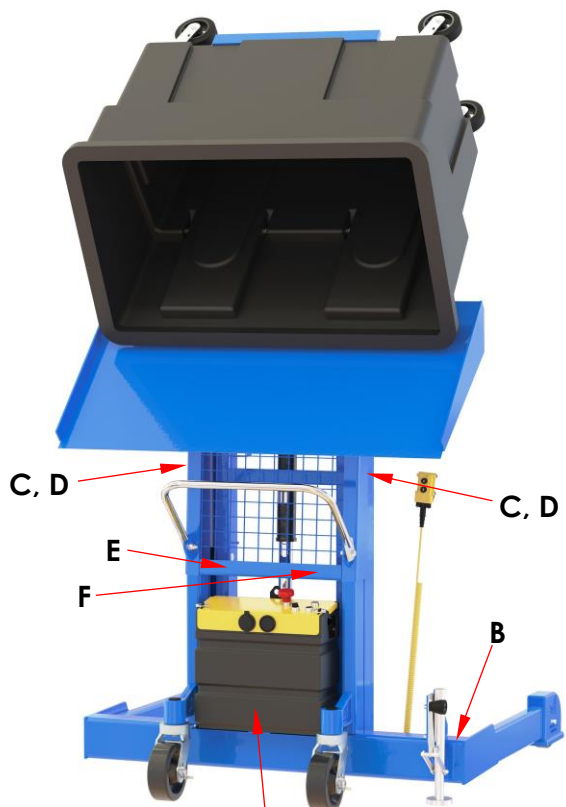
Contact [TECHNICAL SERVICE](#) to discuss any issue that is not addressed in this guide or if you need assistance implementing a solution described in this guide.

Issue	Possible causes	Solutions
1. Power unit doesn't run when UP button is pressed.	1a. Transformer fuse is blown. b. No supply voltage. c. Upper-travel limit switch is closed or bad. d. Faulty connection in control circuit. e. Bad control transformer. f. Open motor relay coil. g. (DC units) Low battery voltage.	1a. Test with meter; replace if bad. b. Test with meter. Check fuses, breakers, and overloads to determine the cause. c. Inspect and test switch. Replace if bad. d. Test all parts of circuit with meter. e. Check for 24 VAC; replace if bad. f. Test with meter; replace if bad. g. Test with meter. Charge battery if low (is motor relay LED on?)
2. Motor runs properly, but chute doesn't move when UP and DOWN buttons pressed. Motor and pump are quiet.	2a. Incorrect motor rotation. b. Pump failure. c. Low hydraulic fluid level.	2a. Verify motor shaft rotates counterclockwise. b. Consult factory for replacement. c. Ensure oil reservoir is filled.
3. Motor hums, chatters, or buzzes, or some type of squeal can be heard, but the chute either does not move or only moves very slowly.	3a. See 2b above. b. Excess voltage drop to motor due to power wire size too small, wire run too long, or incoming voltage too low. c. Pressure relief opening at full pressure. d. Contamination holding open lowering valve or check valve.	3a. Same as 2b. b. Check power installation for adequacy. Check incoming voltage <i>while motor is running</i> . Correct problem(s). c. Check for structural damage or binding that prevents chute from elevating. Check for chute overload condition. d. Remove and inspect. Clean the valve with mineral spirits.
4. Chute elevates then slowly lowers on its own, i.e. without pressing the ↓ DOWN button.	4. See 3d above.	4. Same as 3d.
5. Chute lowers too slowly.	5a. Flow control spool is stuck. b. Pinched hose. c. Velocity fuse locking (chute only slowly creeps down).	5a. Remove plug from FC port; push down on the center of the flow spool to ensure it moves freely. b. Check pressure, supply, and return hoses for kinks. c. Bleed air per procedure described on p. 20 of the MPU-DC GEN2 manual .
6. Chute lowers too quickly.	6a. See 3d. b. Flow control spool is stuck.	6a. Same as 3d. b. Same as 5a.
7. Spongy or jerky chute motion.	7. Air in the hydraulic cylinders.	7. Bleed air per procedure described on p. 20 of the MPU-DC GEN2 manual .

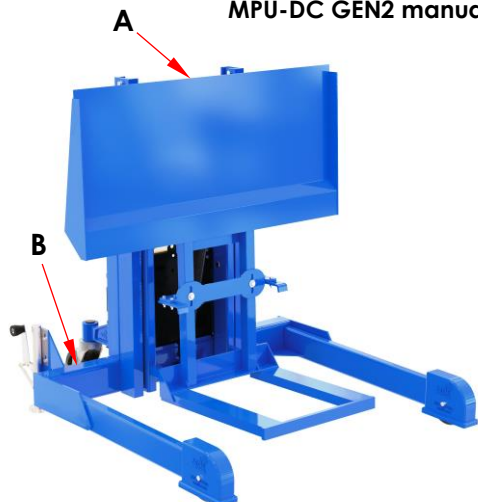
LABELING DIAGRAM

Also see LABELING DIAGRAM in [MPU-DC-GEN2 owner's manual](#).

The unit should be labeled as shown in the diagram. However, content and location of each label are subject to change. Replace all labels that are damaged, missing, or not easily readable (e.g. faded). Order replacement labels by contacting the [TECHNICAL SERVICE AND PARTS DEPARTMENT](#) online at <https://www.vestil.com/page-parts-request.php>. Alternatively, you may request replacement parts and/or service by calling (260) 665-7586 and asking the operator to connect you to the Parts Department.



See Labeling Diagram in MPU-DC GEN2 manual



A: Risks of Operation label (applied to back of chute facing operator handle)

⚠ WARNING
This machine has a drum chute that elevates and pivots. The operator and/or bystanders might sustain serious personal injuries if the drum dumper is improperly used. Reduce the likelihood of injury by conforming use to the following recommendations: <ul style="list-style-type: none"> • DO NOT exceed maximum rated load. • DO NOT operate dumper unless BOTH rim clamps securely engage drum. • DO NOT lift people with chute or allow people to ride on chute. DO NOT pass beneath or stand under chute when raised or tilted or allow others to do so. • DO NOT leave elevated or tilted drum unattended. Immediately after dumping drum, return chute to vertical position, fully lower it, and remove dumped drum. • DO NOT modify machine in any way. Modifications may cause malfunctions and might make dumper unsafe to use. • Instruct all people to clear area BEFORE operating dumper. • DO NOT load or operate dumper UNLESS securely attached to floor.

B: Label 212 (on frame)

⚠ WARNING	⚠ ADVERTENCIA	⚠ AVERTISSEMENT
LOCK CASTER and/or FLOOR LOCK when loading and unloading	La RUEDECILLA de la CERRADURA y/o el PISO CIERRAN al cargar y descargar	LOCK CASTER et/ou SOL LOCK lors du chargement et de déchargement
212 Rev 0111		

C: Label 220 (applied to both sides)

⚠ WARNING	⚠ ADVERTENCIA	⚠ AVERTISSEMENT
KEEP CLEAR WHEN IN USE	MANTENGASE ALEJADO CUANDO SE ESTA OPERANDO	SE TENIR À DISTANCE LORS DU FONCTIONNEMENT
220 rev 0111		

D: Label 208 (applied to both sides)

⚠ WARNING	⚠ ADVERTENCIA	⚠ AVERTISSEMENT
KEEP CLEAR OF PINCH POINT	MANTENGASE ALEJADO DEL PUNTO DE CORTE	SE TENIR À DISTANCE DU POINT DE PINCEMENT
208A		

E: Label 1153 (on frame above MPU)

MODEL / MODÉLO / MODÈLE _____	
WEIGHT / PESO / MASS _____	
CAPACITY / CAPACIDAD / CAPACITÉ _____	
SERIAL / SERIE / SÉRIE _____	
UNITS: 2.2 lb. = 1kg 1" (or 1in.) = 2.54cm	1153

F: Label 821 (on frame above MPU)

	⚠ WARNING
Risk of serious injury or death. Read and understand entire owner's manual BEFORE using.	
821 rev 01/20	

LIMITED WARRANTY

Vestil Manufacturing Company ("Vestil") warrants this product to be free of defects in material and workmanship during the warranty period. Our warranty obligation is to provide a replacement for a defective, original part covered by the warranty after we receive a proper request from the Warrantee (you) for warranty service.

Who may request service?

Only a warrantee may request service. You are a warrantee if you purchased the product from Vestil or from an authorized distributor AND Vestil has been fully paid.

Definition of "original part"?

An original part is a part used to make the product as shipped to the Warrantee.

What is a "proper request"?

A request for warranty service is proper if Vestil receives: 1) a photocopy of the Customer Invoice that displays the shipping date; AND 2) a written request for warranty service including your name and phone number. Send requests by one of the following methods:

<u>US Mail</u>	<u>Fax</u>	<u>Email</u>
Vestil Manufacturing Company	(260) 665-1339	info@vestil.com
2999 North Wayne Street, PO Box 507	<u>Phone</u>	Enter "Warranty service request"
Angola, IN 46703	(260) 665-7586	in subject field.

In the written request, list the parts believed to be defective and include the address where replacements should be delivered. After Vestil receives your request for warranty service, an authorized representative will contact you to determine whether your claim is covered by the warranty. Before providing warranty service, Vestil will require you to send the entire product, or just the defective part (or parts), to its facility in Angola, IN.

What is covered under the warranty?

The warranty covers defects in the following original, dynamic parts: motors, hydraulic pumps, motor controllers, and cylinders. It also covers defects in original parts that wear under normal usage conditions ("wearing parts"), such as bearings, hoses, wheels, seals, brushes, and batteries.

How long is the warranty period?

The warranty period for original dynamic components is 1 year. For wearing parts, the warranty period is 90 days. Both warranty periods begin on the date Vestil ships the product to the Warrantee. If the product was purchased from an authorized distributor, the periods begin when the distributor ships the product. Vestil may, at its sole discretion, extend a warranty period for products shipped from authorized distributors by up to 30 days to account for shipping time.

If a defective part is covered by the warranty, what will Vestil do to correct the problem?

Vestil will provide an appropriate replacement for any covered part. An authorized representative of Vestil will contact you to discuss your claim.

What is not covered by the warranty?

The Warrantee (you) is responsible for paying labor costs and freight costs to return the product to Vestil for warranty service.

Events that automatically void this Limited Warranty.

- Misuse;
- Negligent assembly, installation, operation or repair;
- Installation/use in corrosive environments;
- Inadequate or improper maintenance;
- Damage sustained during shipping;
- Collisions or other accidents that damage the product;
- Unauthorized modifications: Do not modify the product IN ANY WAY without first receiving written authorization from Vestil.

Do any other warranties apply to the product?

Vestil Manufacturing Co. makes no other express warranties. All implied warranties are disclaimed to the extent allowed by law. Any implied warranty not disclaimed is limited in scope to the terms of this Limited Warranty. Vestil makes no warranty or representation that this product complies with any state or local design, performance, or safety code or standard. Noncompliance with any code or standard is not a defect.